

Canon

iR3245 / iR3245N
iR3235 / iR3235N
iR3225 / iR3225N

User's Guide



Read this guide first.

Please read this guide before operating this product.

After you finish reading this guide, store it in a safe place for future reference.

[Downloaded from MangalaPrinter.com/Manuals](http://www.mangalaPrinter.com/Manuals)

ENGLISH

iR3245/iR3245N
iR3235/iR3235N
iR3225/iR3225N
User's Guide



Manuals for the Machine

The manuals for this machine are divided as follows. Please refer to them for detailed information.

The manuals supplied with optional equipment are included in the list below. Depending on the system configuration and product purchased, some manuals may not be needed.



Guides with this symbol are printed manuals.



Guides with this symbol are included on the accompanying CD-ROM or DVD-ROM.

- **Learn How to Use Your Machine**

The Tutorial CD is a teaching aid, designed to help you learn the various functions of the machine.

Tutorial CD



- **Basic Information**

**User's Guide
(This Document)**



- **Operations and Settings after the Machine Is Installed**

Getting Started



- **Quick Reference for Basic Operations**

Easy Operation Guide



- **Important Notes for Handling the Machine**

Troubleshooting



- **Windows Printer Driver Installation and Instructions**

**Printer Driver Installation
Guide**



- **Mac OS X PS Printer Driver Installation and Instructions**

Mac PS Driver Guide



- **Mac OS X UFR II Printer Driver Installation and Instructions**

Mac UFR II Driver Guide



- **Windows Fax Driver Installation and Instructions**

**Fax Driver Installation
Guide**



- **Windows Network ScanGear Installation and Instructions**

**Network ScanGear
Installation Guide**



- **Instructions for Operating the Machine**
- **Before You Start**
- **Help**
- **Copy**
- **Send/Fax**
- **Mail Box**
- **Print**
- **Web Access**
- **Network**
- **Remote UI**
- **MEAP/SSO**
- **Security**
- **Software**

e-Manual



To view the manual in PDF format, Adobe Reader/Adobe Acrobat Reader is required. If Adobe Reader/Adobe Acrobat Reader is not installed on your system, please download it from the Adobe Systems Incorporated website.



How This Manual Is Organized

Chapter 1

Appendix

Includes the specifications of the main unit and optional equipment.

Considerable effort has been made to ensure that this manual is free of inaccuracies and omissions. However, as we are constantly improving our products, if you need an exact specification, please contact Canon.

Contents

Preface	vii
How To Use This Manual	vii
Symbols Used in This Manual	vii
Keys Used in This Manual	viii
Displays Used in This Manual	viii
Illustrations Used in This Manual	ix
Abbreviations Used in This Manual	ix
Trademarks	x
Operations and Terms Used in This Manual	xi
Legal Notices	xiii
Product Name	xiii
CE	xiii
EMC Directive	xiii
Laser Safety	xiv
Additional Information	xiv
International Energy Star Program	xv
IPv6 Ready Logo	xv
WEEE Directive	xv
Copyright	xvi
Third Party Software	xvi
The Software Subjected to the Other Conditions	xvii
The Software Licensed under the GPL/LGPL	xvii
Disclaimers	xvii
Legal Limitations on the Usage of Your Product and the Use of Images	xviii
⚠ Important Safety Instructions	xix
Installation	xix
Power Supply	xxi
Handling	xxii
Maintenance and Inspections	xxiv
Consumables	xxv
R & TTE Directive	xxv
Super G3	xxvi
Other Warnings	xxvi
How to Use the e-Manual	xxvii
System Requirements	xxvii
e-Manual Menu	xxviii

Chapter 1

Appendix

Specifications	1-2
Main Unit	1-2
Feeder (DADF-U1)	1-4
Cassette Feeding Unit-Y3	1-4
Paper Deck-Q1	1-5
Envelope Feeder Attachment-C2	1-5
Finisher-S1	1-6

Finisher-AE1	1-7
Saddle Finisher-AE2	1-8
Puncher Unit-L1/N1/P1.....	1-10
Puncher Unit-Q1/S1/T1.....	1-10
Additional Finisher Tray-B1	1-11
Inner 2 Way Tray-D1	1-12
Copy Tray-J1	1-12
Card Reader-C1	1-13
Color Universal Send Kit.....	1-13
Super G3 FAX Board.....	1-15
Network Environment.....	1-15
Hardware Specifications	1-15
Software Specifications	1-16
Printer Settings	1-16
Provide Adequate Installation Space.....	1-17
System Management of the iR3245/iR3245N/iR3235/iR3235N/iR3225/iR3225N	1-19
Entering the System Management Mode	1-19
If Department ID Management Is Enabled	1-20
If Department ID Management Is Not Enabled.....	1-20
Cancelling the System Management Mode	1-22
Managing Inboxes in the System Management Mode	1-22
Changing the Mail Box Settings in the System Management Mode	1-24

Preface

Thank you for purchasing the Canon iR3245/iR3245N/iR3235/iR3235N/iR3225/iR3225N. Please read this manual thoroughly before operating the machine to familiarize yourself with its capabilities, and to make the most of its many functions. After reading this manual, store it in a safe place for future reference.

How To Use This Manual

Symbols Used in This Manual

The following symbols are used in this manual to explain procedures, restrictions, handling precautions, and instructions that should be observed for safety.



WARNING

Indicates a warning concerning operations that may lead to death or injury to persons if not performed correctly. To use the machine safely, always pay attention to these warnings.



CAUTION

Indicates a caution concerning operations that may lead to injury to persons, or damage to property if not performed correctly. To use the machine safely, always pay attention to these cautions.



IMPORTANT

Indicates operational requirements and restrictions. Be sure to read these items carefully to operate the machine correctly, and avoid damage to the machine.



NOTE

Indicates a clarification of an operation, or contains additional explanations for a procedure. Reading these notes is highly recommended.

Keys Used in This Manual

The following symbols and key names are a few examples of how keys to be pressed are expressed in this manual:

- Touch Panel Display Keys: [Key Name]

Example: [Cancel]

[Done]

- Control Panel Keys: Key Icon

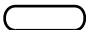
Example: 



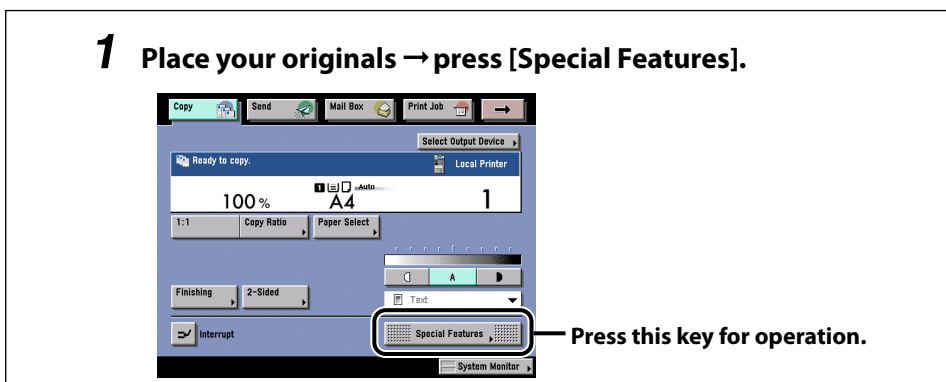
Displays Used in This Manual

Screen shots of the touch panel display used in this manual are those taken when the optional Color Universal Send Kit has been activated, and the following optional equipment is attached to the iR3245: the Feeder (DADF-U1), Super G3 FAX Board, UFR II/PCL Printer Kit, Finisher-S1, Additional Finisher Tray-B1, and Cassette Feeding Unit-Y3.

Note that functions that cannot be used depending on the model or options, are not displayed on the touch panel display.

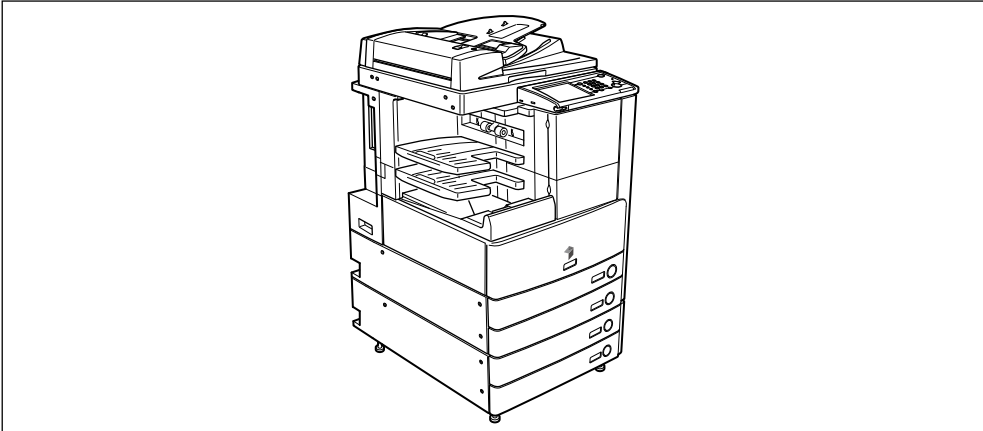
The keys which you should press are marked with a , as shown below.

When multiple keys can be pressed on the touch panel display, all keys are marked. Select the keys which suit your needs.



Illustrations Used in This Manual

Illustrations used in this manual are those displayed when the iR3245 has the following optional equipment attached to it: the Feeder (DADF-U1), Finisher-S1, Additional Finisher Tray-B1, and Cassette Feeding Unit-Y3.



Abbreviations Used in This Manual

In this manual, product names and model names are abbreviated as follows:

Microsoft Windows 2000: Windows 2000

Microsoft Windows 2000 Professional: Windows 2000 Professional

Microsoft Windows 2000 Server: Windows 2000 Server

Microsoft Windows Server 2003: Windows Server 2003

Microsoft Windows XP Professional Edition: Windows XP Professional

Microsoft Windows XP: Windows XP

Microsoft Windows Vista operating system: Windows Vista

Microsoft Windows operating system: Windows

Novell NetWare: NetWare

Apple Macintosh: Macintosh

Apple Mac: Mac

Trademarks

MEAP and the MEAP logo are trademarks of Canon Inc.

Apple, AppleTalk, Mac, Mac OS and Macintosh are trademarks of Apple Inc., registered in the U.S. and other countries. Safari and Tiger are trademarks of Apple Inc.

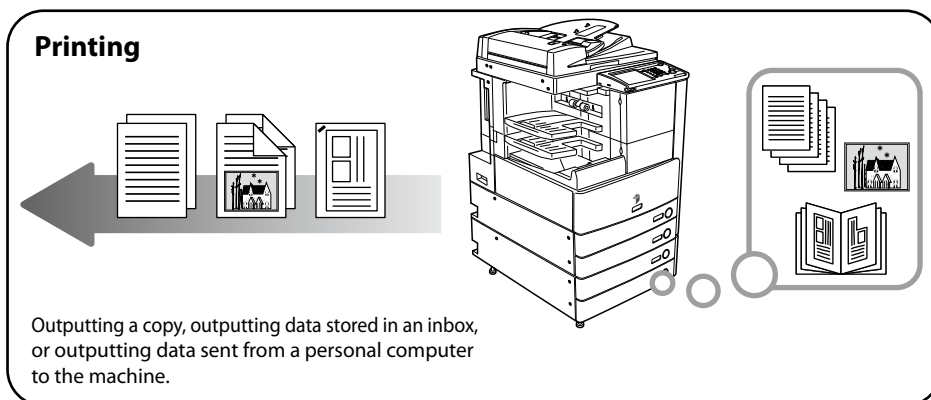
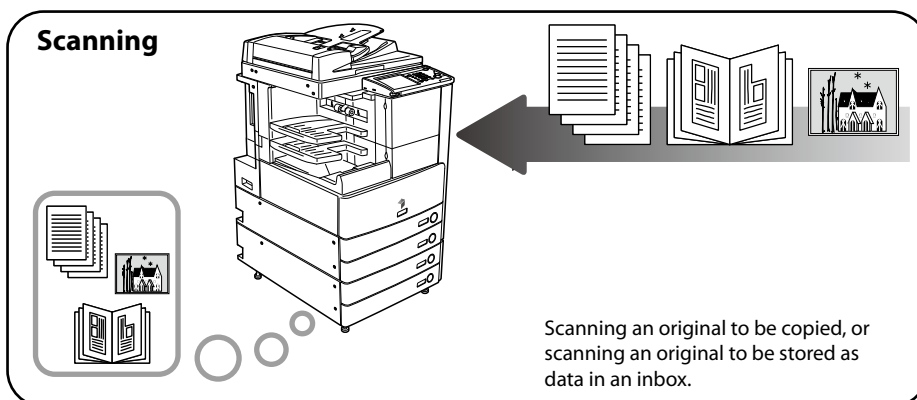
Windows, the Windows logo, Windows Vista, and the Windows Vista logo are trademarks or registered trademarks of Microsoft Corporation in the U.S. and/or other countries.

Other product and company names herein may be the trademarks of their respective owners.

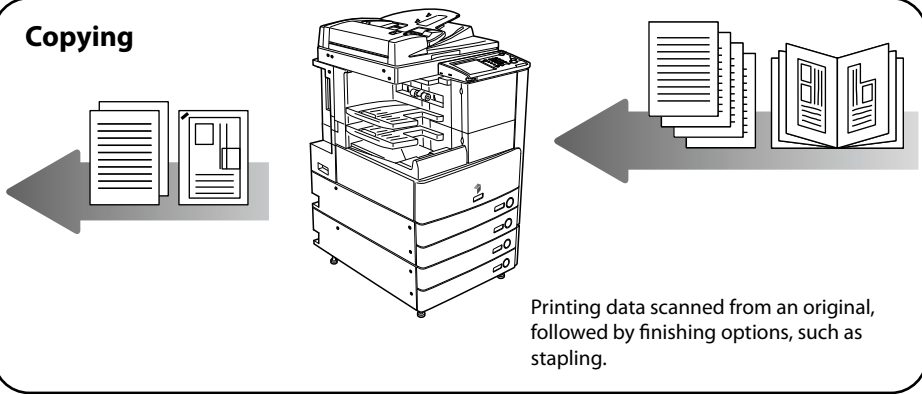
Operations and Terms Used in This Manual

This machine makes effective use of memory to perform print operations efficiently. For example, as soon as the machine has scanned the original that you want to copy, it can immediately scan the next person's original. You can also print from this machine, using a function other than the Copy function. In this machine, these operations take place in a complex way, so that not only copies, but also various kinds of prints may sometimes have to wait their turn before they can be printed.

To avoid confusion when reading this manual, the terms "scanning," "printing," and "copying," used throughout this manual are defined below. When making a copy, the process of scanning originals and printing copies may be described as separate functions.



Copying



Legal Notices

Product Name

Safety regulations require the product's name to be registered. In some regions where this product is sold, the following name(s) in () may be registered instead.

iR3245/iR3245N/iR3235/iR3235N (F152000)

iR3225/iR3225N (F152300)

CE



This CE Marking shows compliance of this equipment with Directive 73/23/EEC and Directive 89/336/EEC both as amended by Directive 93/68 EEC.

EMC Directive

This equipment conforms with the essential requirements of EC Directive 89/336/EEC. We declare that this product conforms with the EMC requirements of EC Directive 89/336/EEC at nominal mains input 230V, 50Hz although the rated input of the product is 220V-240V, 50/60Hz.

Use of shielded cable is necessary to comply with the technical requirements of EMC Directive.

Laser Safety

This Product is certified as a Class I laser product under IEC60825-1:1993 and EN60825-1:1994. This means that the product does not produce hazardous laser radiation.

Since radiation emitted inside the product is completely confined within protective housings and external covers, the laser beam cannot escape from the machine during any phase of user operation.

Do not remove protective housings or external covers, except as directed by the equipment's manual.

Additional Information

When servicing or adjusting the optical system of the product, be careful not to place screwdrivers or other shiny objects in the path of the laser beam. Also, accessories such as watches and rings should be removed before working on the product. The reflected beam, even though visible or invisible, can permanently damage your eyes.

The labels shown below are attached to the Paper Drawer's Right Cover and Toner Supply Port Cover.



This Product has been classified under IEC60825-1:1993 and EN60825-1:1994, which conform to the following classes;

CLASS I LASER PRODUCT

LASER KLASSE I

APPAREIL A RAYONNEMENT LASER DE CLASSE I

APPARECCHIO LASER DI CLASSE I

PRODUCTO LASER DE CLASE I

APARELHO A LASER DE CLASSE I

! CAUTION

Use of controls, adjustments, or performance of procedures other than those specified in this manual may result in hazardous radiation exposure.

International Energy Star Program



As an ENERGY STAR® Partner, Canon Inc. has determined that this machine meets the ENERGY STAR® Program guidelines for energy efficiency.

The International ENERGY STAR® Office Equipment Program is an international program that promotes energy saving through the use of computers and other office equipment. The program backs the development and dissemination of products with functions that effectively reduce energy consumption. It is an open system in which business proprietors can participate voluntarily. The targeted products are office equipment, such as computers, displays, printers, facsimiles, and copiers. The standards and logos are uniform among participating nations.

IPv6 Ready Logo



The protocol stack included in this machine has obtained the IPv6 Ready Logo Phase-1 established by the IPv6 Forum.

WEEE Directive



European Union (and EEA) only.

This symbol indicates that this product is not to be disposed of with your household waste, according to the WEEE Directive (2002/96/EC) and your national law. This product should be handed over to a designated collection point, e.g., on an authorized one-for-one basis when you buy a new similar product or to an authorized collection site for recycling waste electrical and electronic equipment (EEE). Improper handling of this type of waste could have a possible negative impact on the environment and human health due to potentially hazardous substances that are generally associated with EEE. At the same time, your cooperation in the correct disposal of this product will contribute to the effective usage of natural resources. For more information about where you can drop off your waste equipment for recycling, please contact your local city office, waste authority, approved WEEE scheme or your household waste disposal service. For more information regarding return and recycling of WEEE products, please visit www.canon-europe.com/environment.

(EEA: Norway, Iceland and Liechtenstein)

Copyright

Copyright 2008 by Canon Inc. All rights reserved.

No part of this publication may be reproduced or transmitted in any form or by any means, electronic or mechanical, including photocopying and recording, or by any information storage or retrieval system without the prior written permission of Canon Inc.

Third Party Software

This product includes software and/or software modules that are licensed by third parties (LICENSORS). Use and distribution of this software and/or software modules (the "SOFTWARE") are subject to conditions (1) through (9) below unless the other conditions accompany the software and/or software module. In such cases, these software and/or software module are subject to the other conditions.

- (1) You agree that you will comply with any applicable export control laws, restrictions or regulations of the countries involved in the event that the SOFTWARE is shipped, transferred or exported into any country.
- (2) LICENSORS retain in all respects the title, ownership and intellectual property rights in and to the SOFTWARE. Except as expressly provided herein, no license or right, expressed or implied, is hereby conveyed or granted by Canon's licensor to you for any intellectual property of LICENSORS.
- (3) You may use the SOFTWARE solely for use with the Canon product you purchased (the "PRODUCT").
- (4) You may not assign, sublicense, market, distribute, or transfer the SOFTWARE to any third party without prior written consent of Canon and LICENSORS.
- (5) Notwithstanding the foregoing, you may transfer the SOFTWARE only when (a) you assign all of your rights to the PRODUCT and all rights and obligations under the conditions to transferee and (b) such transferee agrees to be bound by all these conditions.
- (6) You may not decompile, reverse engineer, disassemble or otherwise reduce the code of the SOFTWARE to human readable form.
- (7) You may not modify, adapt, translate, rent, lease or loan the SOFTWARE or create derivative works based on the SOFTWARE.
- (8) You are not entitled to remove or make separate copies of the SOFTWARE from the PRODUCT.
- (9) The human-readable portion (the source code) of the SOFTWARE is not licensed to you.

The Software Subjected to the Other Conditions

Please refer to the e-Manual on the DVD-ROM bundled with this product, for more detail and corresponding license conditions.

The Software Licensed under the GPL/LGPL

If you need source code for the software; licensed under GPL and/or LGPL; used for this product, please send email in English or Japanese at: <oipossg@canon.co.jp>.

Please refer to the e-Manual on the DVD-ROM bundled with this product, for more detail and corresponding license conditions.

Disclaimers

The information in this document is subject to change without notice.

CANON INC. MAKES NO WARRANTY OF ANY KIND WITH REGARD TO THIS MATERIAL, EITHER EXPRESS OR IMPLIED, EXCEPT AS PROVIDED HEREIN, INCLUDING WITHOUT LIMITATION, THEREOF, WARRANTIES AS TO MARKETABILITY, MERCHANTABILITY, FITNESS FOR A PARTICULAR PURPOSE OF USE OR NON-INFRINGEMENT. CANON INC. SHALL NOT BE LIABLE FOR ANY DIRECT, INCIDENTAL, OR CONSEQUENTIAL DAMAGES OF ANY NATURE, OR LOSSES OR EXPENSES RESULTING FROM THE USE OF THIS MATERIAL.

Legal Limitations on the Usage of Your Product and the Use of Images

Using your product to scan, print or otherwise reproduce certain documents, and the use of such images as scanned, printed or otherwise reproduced by your product, may be prohibited by law and may result in criminal and/or civil liability. A non-exhaustive list of these documents is set forth below. This list is intended to be a guide only. If you are uncertain about the legality of using your product to scan, print or otherwise reproduce any particular document, and/or of the use of the images scanned, printed or otherwise reproduced, you should consult in advance with your legal advisor for guidance.

- Paper Money
- Money Orders
- Certificates of Deposit
- Postage Stamps (cancelled or uncanceled)
- Identifying Badges or Insignias
- Selective Service or Draft Papers
- Checks or Drafts Issued by Governmental Agencies
- Motor Vehicle Licenses and Certificates of Title
- Travelers Checks
- Food Stamps
- Passports
- Immigration Papers
- Internal Revenue Stamps (cancelled or uncanceled)
- Bonds or Other Certificates of Indebtedness
- Stock Certificates
- Copyrighted Works/Works of Art without Permission of Copyright Owner

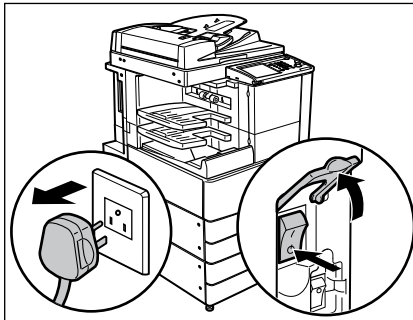
Important Safety Instructions

Please read these "Important Safety Instructions" thoroughly before operating the machine. As these instructions are intended to prevent injury to the user or other persons or destruction of property, always pay attention to these instructions. Also, since it may result in unexpected accidents or injuries, do not perform any operation unless otherwise specified in the manual. Improper operation or use of this machine could result in personal injury and/or damage requiring extensive repair that may not be covered under your Limited Warranty.

Installation

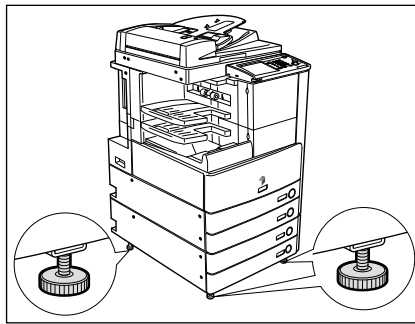
WARNING

- Do not install the machine near alcohol, paint thinner, or other flammable substances. If flammable substances come into contact with electrical parts inside the machine, it may result in a fire or electrical shock.
- Do not place the following items on the machine. If these items come into contact with a high-voltage area inside the machine, it may result in a fire or electrical shock. If these items are dropped or spilled inside the machine, immediately turn OFF the main power switch, and disconnect the power cord from the power outlet. Then, contact your local authorized Canon dealer.
 - Necklaces and other metal objects
 - Cups, vases, flowerpots, and other containers filled with water or liquids



CAUTION

- Do not install the machine in unstable locations, such as unsteady platforms or inclined floors, or in locations subject to excessive vibrations, as this may cause the machine to fall or tip over, resulting in personal injury.
- Never block the ventilation slots and louvers on the machine. These openings are provided for proper ventilation of working parts inside the machine. Blocking these openings can cause the machine to overheat. Never place the machine on a soft surface, such as a sofa or rug.
- Do not install the machine in the following locations:
 - A damp or dusty location
 - A location near water faucets or water
 - A location exposed to direct sunlight
 - A location subject to high temperatures
 - A location near open flames
- Do not remove the machine's leveling feet after the machine has been installed, as this may cause the machine to fall or tip over, resulting in personal injury.



Power Supply

WARNING

- Do not damage or modify the power cord. Also, do not place heavy objects on the power cord, or pull on or excessively bend it, as this could cause electrical damage and result in a fire or electrical shock.
- Keep the power cord away from a heat source; failure to do this may cause the power cord coating to melt, resulting in a fire or electrical shock.
- Do not connect or disconnect the power cord with wet hands, as this may result in electrical shock.
- Do not connect the power cord to a multiplug power strip, as this may cause a fire or electrical shock.
- Do not bundle up or tie the power cord in a knot, as this may result in a fire or electrical shock.
- Insert the power plug completely into the power outlet, as failure to do so may result in a fire or electrical shock.
- Do not use power cords other than the power cord provided, as this may result in a fire or electrical shock.
- As a general rule, do not use extension cords. Using an extension cord may result in a fire or electrical shock. If an extension cord must be used, however, use one rated for voltages of 220 - 240 V AC and over, untie the cord binding, and insert the power plug completely into the extension cord outlet to ensure a firm connection between the power cord and the extension cord.

CAUTION

- Do not use power supplies with voltages other than those specified herein, as this may result in a fire or electrical shock.
- Always grasp the power plug when disconnecting the power cord. Pulling on the power cord may expose or snap the core wire, or otherwise damage the power cord. If the power cord is damaged, this could cause current to leak, resulting in a fire or electrical shock.
- Leave sufficient space around the power plug so that it can be unplugged easily. If objects are placed around the power plug, you will be unable to unplug it in an emergency.

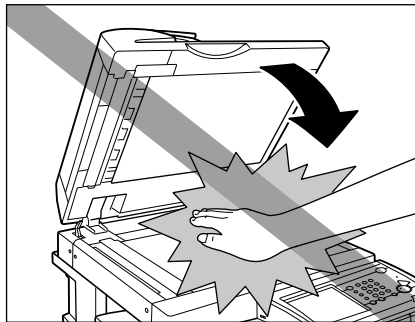
Handling

WARNING

- Do not attempt to disassemble or modify the machine. There are high-temperature and high-voltage components inside the machine which may result in a fire or electrical shock.
- If the machine makes strange noises, or gives off smoke, heat, or strange smells, immediately turn OFF the main power switch, and disconnect the power cord from the power outlet. Then, contact your local authorized Canon dealer. Continued use of the machine in this condition may result in a fire or electrical shock.
- Do not use highly flammable sprays near the machine. If gas from these sprays comes into contact with the electrical components inside the machine, it may result in a fire or electrical shock.
- To avoid damage to the power cord and creating a fire hazard, always turn OFF the main power switch, and unplug the interface cable when moving the machine. Otherwise, the power cord or interface cable may be damaged, resulting in a fire or electrical shock.
- Do not drop paper clips, staples, or other metal objects inside the machine. Also, do not spill water, liquids, or flammable substances (alcohol, benzene, paint thinner, etc.) inside the machine. If these items come into contact with a high-voltage area inside the machine, it may result in a fire or electrical shock. If these items are dropped or spilled inside the machine, immediately turn OFF the main power switch, and disconnect the power cord from the power outlet. Then, contact your local authorized Canon dealer.

CAUTION

- Do not place heavy objects on the machine, as they may tip over or fall resulting in personal injury.
- Close the feeder/platen cover gently to avoid catching your hands, as this may result in personal injury.



- Do not press down hard on the feeder/platen cover when using the platen glass to make copies of thick books. Doing so may damage the platen glass and result in personal injury.
- Do not touch the finisher while the machine is printing, as this may result in personal injury.
- Turn OFF the control panel power switch for safety when the machine will not be used for a long period of time, such as overnight. Also, turn OFF the main power switch, and disconnect the power cord for safety when the machine will not be used for an extended period of time, such as during consecutive holidays.

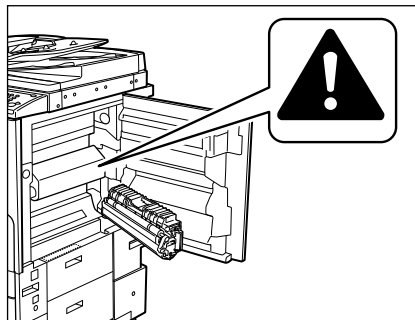
Maintenance and Inspections

WARNING

- When cleaning the machine, first turn OFF the main power switch, then disconnect the power cord. Failure to observe these steps may result in a fire or electrical shock.
- Disconnect the power cord from the power outlet regularly, and clean the area around the base of the power plug's metal pins and the power outlet with a dry cloth to ensure that all dust and grime is removed. If the power cord is connected for a long period of time in a damp, dusty, or smoky location, dust can build up around the power plug and become damp. This may cause a short circuit and result in a fire.
- Clean the machine using a slightly dampened cloth with a mild detergent mixed with water. Do not use alcohol, benzene, paint thinner, or other flammable substances. Check detergent for flammability prior to use. If flammable substances come into contact with a high-voltage area inside the machine, it may result in a fire or electrical shock.
- There are some areas inside the machine which are subject to high-voltages. When removing jammed paper or when inspecting the inside of the machine, do not allow necklaces, bracelets, or other metal objects to touch the inside of the machine, as this may result in burns or electrical shock.
- Do not burn or throw used toner cartridges into open flames, as this may cause the toner remaining inside the cartridges to ignite, resulting in burns or a fire.

CAUTION

- The fixing unit and its surroundings inside the machine may become hot during use. When removing jammed paper or when inspecting the inside of the machine, do not touch the fixing unit and its surroundings, as doing so may result in burns or electrical shock.



- When removing jammed paper or replacing the toner cartridge, take care not to allow the toner to come into contact with your hands or clothing, as this will dirty your hands or clothing. If they become dirty, wash them immediately with cold water. Washing them with warm water will set the toner, and make it impossible to remove the toner stains.
- When removing paper which has become jammed inside the machine, remove the jammed paper gently to prevent the toner on the paper from scattering and getting into your eyes or mouth. If the toner gets into your eyes or mouth, wash them immediately with cold water and immediately consult a physician.

- When loading paper or removing jammed originals or paper, take care not to cut your hands on the edges of the originals or paper.
- When removing a used toner cartridge, remove the cartridge carefully to prevent the toner from scattering and getting into your eyes or mouth. If the toner gets into your eyes or mouth, wash them immediately with cold water and immediately consult a physician.
- Do not dismantle the toner cartridge, as doing so may cause toner to fly out and enter your eyes or mouth. If the toner gets into your eyes or mouth, wash them immediately with cold water and immediately consult a physician.
- If toner escapes from the toner cartridge, make sure not to ingest the toner or allow it to directly touch your skin. If toner touches your skin, wash it away with soap and water. If your skin still feels irritated after washing it, or you ingest toner, consult a doctor immediately.

Consumables

WARNING

- Do not burn or throw used toner cartridges into open flames, as this may cause the toner remaining inside the cartridges to ignite, resulting in burns or a fire.
- Do not store toner cartridges or copy paper in places exposed to open flames, as this may cause the toner or paper to ignite, resulting in burns or a fire.
- When discarding used toner cartridges, put the cartridges in a bag to prevent the toner remaining inside the cartridges from scattering, and dispose of them in a location away from open flames.

CAUTION

- Keep toner and other consumables out of the reach of small children. If these items are ingested, consult a physician immediately.
- Do not dismantle the toner cartridge, as doing so may cause toner to fly out and enter your eyes or mouth. If the toner gets into your eyes or mouth, wash them immediately with cold water and immediately consult a physician.
- If toner escapes from the toner cartridge, make sure not to ingest the toner or allow it to directly touch your skin. If toner touches your skin, wash it away with soap and water. If your skin still feels irritated after washing it, or you ingest toner, consult a doctor immediately.

R & TTE Directive



This equipment (F152000/F152300) conforms with the essential requirements of EC Directive 1999/5/EC and is usable in EU.

We declare that this product conforms with the EMC requirements of EC Directive 1999/5/EC at nominal mains input 230 V, 50 Hz although the rated input of the product is 220 V-240 V, 50/60 Hz.

Use of shielded cable is necessary to comply with the technical requirements of EMC Directive. If you move to another EU country and are experiencing trouble please call the Canon Help Desk.

(For Europe Only)
Canon Inc./Canon Europa N. V.

Super G3



Super G3 is a phrase used to describe the new generation of fax machines that use ITU-T V.34 standard 33.6 Kbps* modems. Super G3 High Speed Fax machines allow transmission times of approximately 3 seconds* per page which results in reduced telephone line charges.

* Approximately 3 seconds per page fax transmission time based on CCITT/ITU-T No.1 Chart, (JBIG, Standard Mode) at 33.6 Kbps modem speed. The Public Switched Telephone Network (PSTN) currently supports 28.8 Kbps modem speeds or slower, depending on telephone line conditions.

Other Warnings

WARNING

For cardiac pacemaker users:

This product generates a low level magnetic field. If you use a cardiac pacemaker and feel abnormalities, please move away from the product and consult your doctor.

How to Use the e-Manual

By using the e-Manual, you can select and view HTML manuals included on the DVD-ROM via your computer. Follow the instructions below to use the e-Manual.

System Requirements

The e-Manual is guaranteed to operate in the following system environments.

■ OS (Operating System)

Windows: 2000 SP4, XP, Vista

Even if you are using Windows 2000 SP4, Internet Explorer 6.0 or later is required.

Mac: OSX.4.x

■ Web Browser

Windows: Internet Explorer 6.0 or 7.0

Mac: Safari 2.0.x

■ Flash Player

Flash Player 8.0 or later

NOTE

- *The memory and CPU required to run each operating system are also required.*
- *A display resolution of 1024 x 768 pixels or higher is required.*
- *The e-Manual may not operate correctly if Flash Player is not installed or a version of Flash Player earlier than the above is installed in your computer.*

e-Manual Menu

When using the e-Manual with Windows, follow the steps below.

1. Insert the e-Manual in your computer.
2. Select the language to install the manual (e-Manual).
3. Select [Install] or [Display Manual].

If [Install] is selected, the manual (e-Manual) is saved in My Documents. If the shortcut icon created on the desktop, or [index.html] saved in the folder is double-clicked, the Manual (e-Manual) is displayed.

If [Display Manual] is selected, the Manual (e-Manual) is displayed.

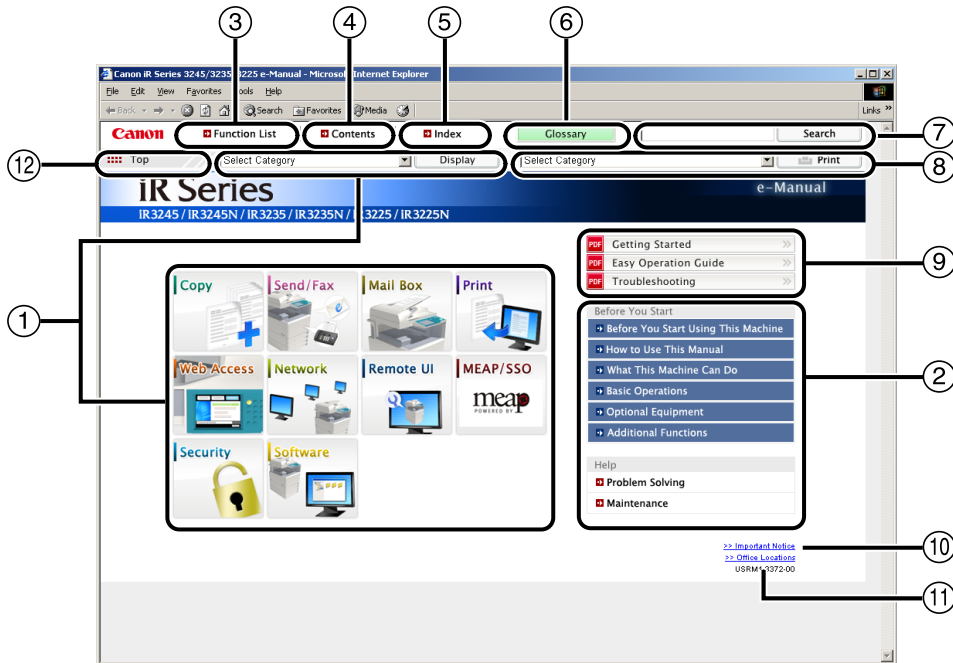
When using the e-Manual with Macintosh, follow the steps below.

1. Insert the e-Manual in your computer.
2. Drag-and-drop the [uk_iR3245_Manual] folder into the location you want to save it.
3. Double-click [index.html] in the [uk_iR3245_Manual] folder, and the Manual (e-Manual) is displayed.



NOTE

- Depending on the operating system you are using, a security protection message may be displayed. In this case, allow the contents to be displayed.
- When you start the e-Manual, the following screen (the top page) is displayed.



1 **Function Categories**

Select a category from the drop-down list and click [Display], or click the button to display a list of image icons. Click an image icon to display the topic pages.

If you click the [Display Function List] displayed in the list of image icons, a list of all the topic page titles is displayed. When there are also sub-categories, they can be selected from the drop-down list in the image icon list.

2 **Appendix Categories**

Select an appendix category to display topic pages such as the maintenance and optional equipment topics.

3 **[Function List]**

Click to display the topic pages for function categories.

4 **[Contents]**

Click to display the contents for the function categories and appendix categories in a separate window.

5 **[Index]**

Click to display the index for the function categories and appendix categories in a separate window.

6 **[Glossary]**

Click to display the glossary in a separate window.

7 **[Search]**

Click to display a list of the topic page titles that include the phrase you enter and the category names that they belong to. Click a title to display the corresponding topic page.

8 **[Print]**

Click to print all categories or a single category. When there are sub-categories, you can print them separately.

9 **PDF Guides**

Click to display the Getting Started, Easy Operation Guide, and Troubleshooting in the PDF format.

10 **[Important Notice]**

Click to display important notices in a separate window. Only displayed when there are important notices.

11 **[Office Locations]**

Click to display Canon contact details in a separate window.

12 **[Top]**

Click to return to the top page.



NOTE

- *If the Windows DVD-ROM auto play feature is not enabled, click [Start] on the Windows task bar → [My Computer]. (Windows Vista: click [start] on the Windows task bar → [Computer]. Windows 2000: double-click [My Computer] on the Windows desktop.) Open the e-Manual icon, then double-click start.exe.*
- *When performing a search, make sure to enter a phrase that will match a keyword.*
- *Depending on the environment of your computer and the phrase you enter, the correct search results may not be displayed or may take time to be displayed. Also, a confirmation screen may be displayed before executing the search.*
- *If you are using Safari and search results are not displayed, click [View] → [Reload Page] from the menu bar.*
- *Topic pages can be printed by category or topic.*
- *The background colour and images of the Topic Page may not be printed, depending on the web browser settings.*

Appendix

1

CHAPTER

This chapter provides the specifications of the main unit, optional equipment, and other useful information.

Specifications	1-2
Main Unit	1-2
Feeder (DADF-U1)	1-4
Cassette Feeding Unit-Y3	1-4
Paper Deck-Q1	1-5
Envelope Feeder Attachment-C2	1-5
Finisher-S1	1-6
Finisher-AE1	1-7
Saddle Finisher-AE2	1-8
Puncher Unit-L1/N1/P1	1-10
Puncher Unit-Q1/S1/T1	1-10
Additional Finisher Tray-B1	1-11
Inner 2 Way Tray-D1	1-12
Copy Tray-J1	1-12
Card Reader-C1	1-13
Color Universal Send Kit	1-13
Super G3 FAX Board	1-15
Network Environment	1-15
Printer Settings	1-16
Provide Adequate Installation Space	1-17
System Management of the iR3245/iR3245N/iR3235/iR3235N/iR3225/iR3225N	1-19
Entering the System Management Mode	1-19
Cancelling the System Management Mode	1-22
Managing Inboxes in the System Management Mode	1-22
Changing the Mail Box Settings in the System Management Mode	1-24

Specifications

Specifications are subject to change without notice for product improvement or future release.

Main Unit

Item	Specification
Name	Canon iR3245/iR3245N/iR3235/iR3235N/iR3225/iR3225N
Type	Desktop
Resolution for Reading	600 x 600 dpi
Resolution for Writing	1,200dpi x 1,200dpi
Number of Tones	256
Available Paper	Paper Drawers: Paper Weight: 64 to 90 g/m ² Paper Type: Plain, Recycled, Color, Pre-punched, Envelopes Stack Bypass: Paper Weight: 64 to 128 g/m ² Paper Type: Plain, Recycled, Color, Pre-punched, Bond Paper, Heavy, Tracing Paper, Transparency, Labels, Envelopes The printing conditions may vary, depending on the paper type. For more information, see e-Manual > Basic Operations.
Acceptable Originals	Sheet, book, three dimensional objects (up to 2 kg)
Paper Sizes	Paper Drawer: A3, A4, A4R, and A5R Stack Bypass: A3, A4, A4R, A5R, Free size (99 mm x 148 mm to 297 mm x 432 mm), and Envelopes
Warm-Up Time	After Powering ON: iR3245/iR3235/iR3225: 30 seconds maximum (when no optional equipment is attached) iR3245N/iR3235N/iR3225N: 35 seconds maximum Returning from the Sleep mode: Approximately 10 seconds Activation time may vary depending on the environment and conditions under which the machine is being used.

Item	Specification																				
First Copy Time	iR3245/iR3245N/iR3235/iR3235N: Less than 3.9 seconds iR3225/iR3225N: Less than 4.9 seconds																				
Copy Speed (Except when paper is fed from the stack bypass)	<table border="0"> <tr> <td>1:1</td> <td>iR3245/iR3245N</td> <td>iR3235/iR3235N</td> <td>iR3225/iR3225N</td> </tr> <tr> <td>A3</td> <td>22</td> <td>22</td> <td>14</td> </tr> <tr> <td>A4</td> <td>45</td> <td>35</td> <td>25</td> </tr> <tr> <td>A4R</td> <td>20</td> <td>20</td> <td>17</td> </tr> <tr> <td>A5R</td> <td>20</td> <td>20</td> <td>17</td> </tr> </table> <p>The copy speed may vary depending on the number of copies</p>	1:1	iR3245/iR3245N	iR3235/iR3235N	iR3225/iR3225N	A3	22	22	14	A4	45	35	25	A4R	20	20	17	A5R	20	20	17
1:1	iR3245/iR3245N	iR3235/iR3235N	iR3225/iR3225N																		
A3	22	22	14																		
A4	45	35	25																		
A4R	20	20	17																		
A5R	20	20	17																		
Margin	Top: 2.5 mm Left and Right: 2.5 mm Bottom: 2.5 mm																				
Magnification	Regular paper size: Same Ratio 1:1 Reduction 1:0.70 (A3 → A4R) 1:0.50 (A3 → A5R) 1:0.25 Enlargement 1:1.41 (A4R → A3) 1:2.00 (A5R → A3) 1:4.00 Copy Ratio: 25 to 400 % (in 1% increments)																				
Paper Feeding System/ Capacity	Paper Drawers: 550 sheets x 2 cassettes (80 g/m ²) Stack Bypass: 50 sheets (80 g/m ²)																				
Multiple Copies	1 to 999 sheets																				
Power Source	220 - 240 V AC, 50/60 Hz, 5A (iR3245/iR3245N/iR3235/iR3235N) 4A (iR3225/iR3225N)																				
Maximum Power Consumption	Less than 1.5kW																				
Dimensions (H x W x D)	iR3245N/iR3235N/iR3225N: 901 mm x 565 mm x 700 mm (with the Feeder (DADF-U1) standard-equipped) iR3245/iR3235/iR3225: 761 mm x 565 mm x 700 mm (with the optional Feeder (DADF-U1) is not attached)																				
Weight	iR3245N/iR3235N/iR3225N: Approximately 82 kg (with the Feeder (DADF-U1) standard-equipped) iR3245/iR3235/iR3225: Approximately 74 kg (when the optional Feeder (DADF-U1) is not attached)																				
Installation Space (W x D)	862 mm x 700 mm (when the stack bypass is extended)																				

Feeder (DADF-U1)

Item	Specification
Original Feeding Mechanism	Automatic Document Feeder
Size and Weight of Originals	A3, A4, A4R, A5, or A5R 1-sided scanning: 42 to 128 g/m ² 2-sided scanning: 50 to 128 g/m ²
Original Tray Capacity	100 sheets (80 g/m ²)
Original Scanning Speed	51 sheets/minute (A4)
Power Source/Consumption	From the main unit/Approximately 32 W
Dimensions (H x W x D)/Weight	140 mm x 565 mm x 540 mm/Approximately 8 kg

Cassette Feeding Unit-Y3

Item	Specification
Paper Sizes	A3, A4, A4R, or A5R
Paper Drawers Capacity	550 sheets x 2 cassettes (80 g/m ²)
Power Source/Maximum Power Consumption	From the main unit/Approximately 20W
Dimensions (H x W x D)/Weight	252 mm x 565 mm x 700 mm Approximately 23 kg

Paper Deck-Q1

Item	Specification
Paper Size	A4
Paper Deck Capacity	2,700 sheets (80 g/m ²)
Power Source/Consumption	From the main unit/Approximately 35 W
Dimensions (H x W x D)/Weight	473 mm x 372 mm x 591 mm/Approximately 29.6 kg
Installation Space (W x D)	937 mm x 700 mm

Envelope Feeder Attachment-C2

Item	Specification		
Acceptable Envelopes	COM10 No.10, Monarch: Catalog Glove No.8, DL, ISO-B5, ISO-C5, Yougata 4		
Capacity	50 sheets (or 30 mm in height)		
Feeding Speed	Type	iR3245/iR3245N	iR3225/iR3225N
		iR3235/iR3235N	
	COM10 No.10	12 cpm	10 cpm
	ISO-B5	12 cpm	10 cpm
	Monarch: Catalog Glove No.8	12 cpm	10 cpm
	ISO-C5	12 cpm	10 cpm
	DL	12 cpm	10 cpm
	Yougata 4	12 cpm	10 cpm
Dimensions (H x W x D)/ Weight	95 mm x 565 mm x 521 mm/ Approximately 3 kg		

Finisher-S1

Item	Specification
Paper Size/Weight/Type	Size: A3, A4, A4R, A5R, Free size (99 mm x 148 mm to 297 mm x 432 mm), Envelopes (COM10 No.10, Monarch: Catalog Glove No.8, DL, ISO-B5, ISO-C5, Yougata 4) Weight: 64 to 128 g/m ² Type: Plain, Recycled, Color, Pre-punched, Bond Paper, Heavy, Tracing Paper, Transparency, Labels, Envelopes
Capacity Per Tray	No Collating, Collate, Group mode: A4, A5R: 1,000 sheets (or 130 mm in height) A3, A4R: 500 sheets (or 65 mm in height) Staple mode: A4: 1,000 sheets/30 sets (or 130 mm in height) A3, A4R: 500 sheets/30 sets (or 65 mm in height) No Collating, Collate, Group mode with different paper sizes: 500 sheets (or 65 mm in height) Staple mode with different paper sizes: 500 sheets/30 sets (or 65 mm in height)
Capacity Per Tray (when the Additional Finisher Tray-B1 is attached)	No Collating, Collate, Group mode A4, A5R: 300 sheets (or 40 mm in height) A3, A4R: 150 sheets (or 20 mm in height) Staple mode A4: 300 sheets/30 sets (or 40 mm in height) A3, A4R: 150 sheets/30 sets (or 20 mm in height) No Collating, Collate, Group mode with different paper sizes: 150 sheets (or 20 mm in height) Staple mode with different paper sizes: 150 sheets/30 sets (or 20 mm in height)

Item	Specification
Max. Stapling Capacity	<p>A4: 50 sheets (64 to 80 g/m²)</p> <p>A3, A4R: 30 sheets (64 to 80 g/m²)</p> <p>* Corner Staple only</p>
Power Source/Consumption	From the main unit/Approximately 45 W (when the Additional Finisher Tray-B1 is attached)
Dimensions (H x W x D)/Weight	315 mm x 598 mm x 552 mm (when the auxiliary tray is extended)/ Approximately 12 kg
Installation Space (W x D)	1,044 mm x 700 mm (when the stack bypass and the auxiliary tray is extended)

Finisher-AE1

Item	Specification
Paper Size/Weight/Type	<p>Size: A3, A4, A4R, A5R, Free size (99 mm x 148 mm to 297 mm x 432 mm), Envelopes (COM10 No.10, Monarch: Catalog Glove No.8, DL, ISO-B5, ISO-C5, Yougata 4)</p> <p>Weight: 64 to 128 g/m²</p> <p>Type: Plain, Recycled, Color, Pre-punched, Heavy, Tracing Paper, Transparency, Bond Paper, Labels, Envelopes</p>
Capacity Per Tray	<p>No Collating, Collate, Group mode</p> <p>A4, A5R: 1,000 sheets (or 147 mm in height)</p> <p>A3, A4R: 500 sheets (or 73.5 mm in height)</p> <p>Staple mode</p> <p>A4: 1,000 sheets/30 sets (or 147 mm in height)</p> <p>A3, A4R: 500 sheets/30 sets (or 73.5 mm in height)</p> <p>No Collating, Collate, Group mode with different paper sizes:</p> <p>500 sheets (or 73.5 mm in height)</p> <p>Staple mode with different paper sizes:</p> <p>500 sheets/30 sets (or 73.5 mm in height)</p>

Item	Specification
Max. Stapling Capacity/ Available Staple Size	A4: 50 sheets (64 to 80 g/m ²) A3, A4R: 30 sheets (64 to 80 g/m ²) Corner Staple mode: A3, A4, A4R Double Staple mode: A3, A4, A4R
Power Source/Maximum Power Consumption	From the main unit/Approximately 70 W (when the optional Puncher Unit-L1/N1/P1 is attached)
Dimensions (H x W x D)/Weight	1,037 mm x 643 mm x 657 mm (when the auxiliary tray is extended)/ Approximately 43.2 kg
Installation Space (W x D)	1,508 mm x 700 mm (when the stack bypass and the auxiliary tray are extended) 1,615 mm x 700 mm (when the optional Puncher Unit-L1/N1/P1 is attached, the stack bypass and the auxiliary tray are extended)

Saddle Finisher-AE2

Item	Specification
Paper Size/Weight/Type	Size: A3, A4, A4R, A5R, Free size (99 mm x 148 mm to 297 mm x 432 mm), Envelopes (COM10 No.10, Monarch: Catalog Glove No.8, DL, ISO-B5, ISO-C5, Yougata 4) Weight: 64 to 128 g/m ² Type: Plain, Recycled, Color, Pre-punched, Heavy, Tracing Paper, Transparency, Bond Paper, Labels, Envelopes

Item	Specification
Capacity Per Tray	<p>No Collating, Collate, Group mode</p> <p>A4, A5R: 1,000 sheets (or 147 mm in height)</p> <p>A3, A4R: 500 sheets (or 73.5 mm in height)</p> <p>Staple mode</p> <p>A4: 1,000 sheets/30 sets (or 147 mm in height)</p> <p>A3, A4R: 500 sheets/30 sets (or 73.5 mm in height)</p> <p>No Collating, Collate, Group mode with different paper sizes:</p> <p>500 sheets (or 73.5 mm in height)</p> <p>Staple mode with different paper sizes:</p> <p>500 sheets/30 sets (or 73.5 mm in height)</p> <p>Saddle Stitch mode:</p> <p>1 to 5 sheets/25 sets, 6 to 10 sheets/15 sets, 11 to 15 sheets/10 sets</p> <p>* The maximum number of sets that can fit in the Booklet tray is 10 if [Add Cover] is selected in the Booklet mode.</p>
Max. Stapling Capacity/ Available Staple Size	<p>A4: 50 sheets (64 to 80 g/m²)</p> <p>A3, A4R: 30 sheets (64 to 80 g/m²)</p> <p>Corner Staple mode: A3, A4, A4R Double Staple mode: A3, A4, A4R</p>
Available Saddle Stitch Capacity/Size	<p>A3, A4R: 15 sheets (64 to 80 g/m²)</p>
Power Source/Maximum Power Consumption	<p>From the main unit/Approximately 70 W (when the optional Puncher Unit-L1/N1/P1 is attached)</p>
Dimensions (H x W x D)/Weight	<p>1,037 mm x 747 mm x 657 mm (when the auxiliary tray is extended)/ Approximately 73.2 kg</p>
Installation Space (W x D)	<p>1,607 mm x 700 mm (when the stack bypass and the auxiliary tray are extended)</p> <p>(1,714 mm x 700 mm (when the optional Puncher Unit-L1/N1/P1 is attached, and the stack bypass and the auxiliary tray are extended)</p>

Puncher Unit-L1/N1/P1

Item	Specification
Paper Size/Weight/Type	Size: A3, A4, A4R Weight: 64 to 128 g/m ² Type: Plain, Recycled, Color, Heavy, Bond Paper
Punch Hole Quantity, Hole Diameter	Puncher Unit-L1: Two Holes, 6.5 mm Puncher Unit-N1/P1: Four Holes, 6.5 mm
Distance between Punch Holes	80 mm (Puncher Unit-L1/N1) 21 mm, 70 mm (Puncher Unit-P1)
Punch Waste Tray Capacity	Approximately 10,000 sheets (80 g/m ²)
Power Source	From the main unit
Dimensions (H x W x D)/Weight	941 mm x 107 mm x 615 mm Approximately 7.2 kg

Puncher Unit-Q1/S1/T1

Item	Specification
Paper Size/Weight/Type	Size: A3, A4, A4R Weight: 64 to 128 g/m ² Type: Plain, Recycled, Color, Heavy, Bond Paper
Punch Hole Quantity, Hole Diameter	Puncher Unit-Q1: Two Holes, 6.5mm Puncher Unit-S1/T1: Four Holes, 6.5mm
Distance between Punch Holes	80 mm (Puncher Unit-Q1/S1) 21 mm, 70 mm (Puncher Unit-T1)
Punch Waste Tray Capacity	Approximately 2,500 sheets (64 g/m ²)
Power Source	From the optional Finisher-S1
Dimensions (H x W x D)/Weight	175 mm x 505 mm x 130 mm/Approximately 3.9 kg

Additional Finisher Tray-B1

Item	Specification
Paper Size/Weight/Type	Size: A3, A4, A4R, A5R, Free size (99 mm x 148 mm to 297 mm x 432 mm), Envelopes (COM10: No.10, Monarch: Catalog Glove No.8, DL, ISO-B5, ISO-C5, Yougata 4) Weight: 64 to 128 g/m ² Type: Plain, Recycled, Color, Pre-punched, Heavy, Tracing Paper, Transparency, Bond Paper, Labels, Envelopes
Capacity	No Collating, Collate, Group mode A4, A5R: 300 sheets (or 40 mm in height) A3, A4R: 150 sheets (or 20 mm in height) Staple mode A4: 300 sheets/30 sets (or 40 mm in height) A3, A4R: 150 sheets/30 sets (or 20 mm in height) No Collating, Collate, Group mode with different paper sizes: 150 sheets (or 20 mm in height) Staple mode with different paper sizes: 150 sheets/30 sets (or 20 mm in height)
Dimensions (H x W x D)	80 mm x 200 mm x 395 mm
Weight	Approximately 1.7 kg

Inner 2 Way Tray-D1

Item	Specification
Paper Size/Weight/Type	Size: A3, A4, A4R, A5R, Free size (99 mm x 148 mm to 297 mm x 432 mm), Envelopes (COM10 No.10, Monarch: Catalog Glove No.8, DL, ISO-B5, ISO-C5, Yougata 4) Weight: 64 to 128 g/m ² Type: Plain, Recycled, Color, Pre-punched, Heavy, Tracing Paper, Transparency, Bond Paper, Labels, Envelopes
Capacity	Tray A: 250 sheets (A4), 100 sheets (Other sizes) Tray B: 100 sheets (A4), 50 sheets (Other sizes)
Power Source/Power Consumption	From the main unit/Approximately 16 W
Dimensions (H x W x D)/Weight	151 mm x 176 mm x 546 mm/Approximately 3.9 kg
Installation Space (W x D)	862 mm x 700 mm (when the stack bypass is extended)

Copy Tray-J1

Item	Specification
Paper Size/Weight/Type	Size: A3, A4, A4R, A5R Weight: 64 to 128 g/m ² Type: Plain, Recycled, Color, Pre-punched
Capacity	150 sheets (A4), 75 sheets (Other sizes)
Dimensions (H x W x D)/Weight	120 mm x 347 mm x 351 mm Approximately 471 g
Installation Space (W x D)	912 mm x 700 mm

Card Reader-C1

Item	Specification
Available Cards	Magnetic, optical
Card Readout Method	Magnetic/Optical readout
Magnetic Card Reading Direction	Face up
Store/Replay	Replay
Power Source	From the main unit
Dimensions (H x W x D)/Weight	32 mm x 88 mm x 100 mm Approximately 295 g

Color Universal Send Kit

■ Scan Features

Item	Specification
Communication Protocol	FTP (TCP/IP), SMB (TCP/IP), NCP (IPX), WebDAV
Data Format	TIFF, JPEG, PDF, XPS
Resolution	100 x 100 dpi, 150 x 150 dpi, 200 x 100 dpi, 200 x 200 dpi, 200 x 400 dpi, 300 x 300 dpi, 400 x 400 dpi, 600 x 600 dpi
System Environment	Windows XP/Vista, Windows 2000 Server/Professional (SP1 or later), Windows Server 2003, Novell Netware 3.2/4.11/4.2/5/5.1, Solaris Version 2.6 or later, Mac OS X or later, Red Hat Linux 7.2, Windows XP Professional, Red Hat Enterprise Linux AS/ES/WA 4.0 or later
Interface	1000BASE-T, 100BASE-TX, 10BASE-T
Colour Mode	Automatic-Colour Select (Full Colour/Grayscale), Automatic-Colour Select (Full Colour/Black-and-White), Full Colour, Grayscale, Black-and-White
Original Type	Text, Text/Photo, Printed Image, Photo
Others	Preview, Browse Windows (SMB) File Server, Browse NetWare (NCP) File Server
Optional PDF/XPS Functions	Compact, Trace and Smooth ^{*1} , Encryption ^{*1} , OCR, Digital Signing (Device Signature, User Signature)

*1 PDF only.

■ E-mail and I-Fax Features

Item	Specification	
Communication Protocol	SMTP, POP3, I-Fax (Simple, Full)	
Resolution	For Sending E-mail	100 x 100 dpi, 150 x 150 dpi, 200 x 100 dpi, 200 x 200 dpi, 200 x 400 dpi* ¹ , 300 x 300 dpi, 400 x 400 dpi* ¹ , 600 x 600 dpi* ¹
	For Sending I-Fax	200 x 100 dpi, 200 x 200 dpi, 200 x 400 dpi, 300 x 300 dpi, 400 x 400 dpi, 600 x 600 dpi
Format	E-mail	TIFF, JPEG, PDF, XPS
	I-Fax	TIFF (MH, MR, MMR)
Original Size	E-mail	A3, A4, A4R, A5, A5R
	I-Fax	A3 ² , A4, A4R, A5 ³ , A5R ³
Server Software	Microsoft Exchange Server 5.5 (SP1 or later), Sendmail 8.93, Lotus Domino R 4.6 or later	
Other	Searches a destination via the LDAP Server, Preview	
Optional PDF/XPS Functions (E-mail only)	Compact, Trace and Smooth* ⁴ , Encryption* ⁴ , OCR, Digital Signing (Device Signature, User Signature)	

*1 To send with the [Auto-Color Select], [Full Color], or [Grayscale] color modes, the memory of the machine must be expanded by installing the optional System Upgrade RAM.

*2 Available only if [A3/11x17] is selected on the Destination Conditions screen. (See e-Manual > Send/Fax.)

*3 Sent as A4.

*4 PDF only.

Super G3 FAX Board

Item	Specification
Telephone Line Used/Number of Lines	Public Switched Telephone Network, Facsimile network 1 line
Scan line Density (Scan, Transmission)	Standard: 8 pels ^{*1} /mm x 3.85 line/mm Fine: 8 pels ^{*1} /mm x 7.7 line/mm Super-Fine: 8 pels ^{*1} /mm x 15.4 line/mm Ultra-Fine: 16 pels ^{*1} /mm x 15.4 line/mm
Transmission Speed	Super G3: 33.6 kbps, G3: 14.4 kbps
Compression Method	MH, MR, MMR, JBIG
Transmission Type	Super G3, G3
Sending Original Sizes	A3, A4, A4R, A5, A5R
Receiving Paper Sizes	A3*, A4, A4R, A5R** ** Sent as A4
Transmission Times	ECM-MMR: Approximately 3.2 seconds G3MR method: Approximately 13 seconds G3MH method: Approximately 13 seconds JBIG: Approximately 2.6 seconds
Auto Dial Function	Address Book: 1,800 destinations (including destinations stored in one-touch buttons)
Image Memory	Approximately 8,000 pages

*1 Pels stands for picture elements (pixels).

Network Environment

Hardware Specifications

Network Interface	10Base-T/100Base-TX/1000Base-T (RJ-45)
--------------------------	--

Software Specifications

Protocol Supported		
TCP/IP	Frame type: Print applications:	Ethernet II LPD/Raw/IPP/IPPS/FTP/WSD
IPX/SPX	Frame type: Print applications:	Ethernet II/Ethernet 802.2/Ethernet 802.3/ Ethernet SNAP/Auto Detect Bindery PServer/NDS PServer/RPrinter/ NPrinter
NetBIOS*1	Frame type: Print application:	Ethernet II SMB
AppleTalk	Frame type: Print application:	Ethernet SNAP PAP (Printer Access Protocol)

*1 IPv6 is not supported.

Printer Settings

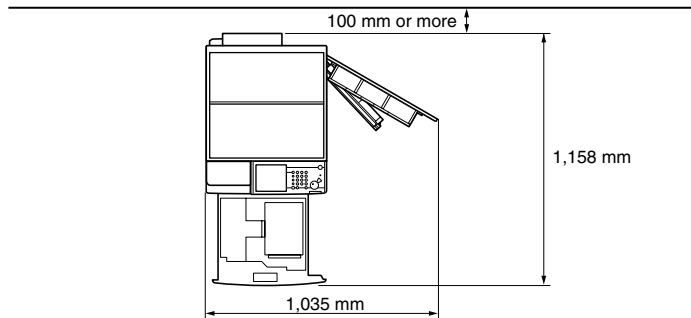
Software Specifications

Command Language	PCL5e, PCL6, PostScript 3 emulation, and UFR II
Resident Fonts	PCL: 80 Scalable fonts, 2 OCR fonts, and 10 Bitmap fonts PS: 136 Scalable fonts
Printable Area	PCL5e, PCL6: Reduced to 4.23 mm from the top, bottom, left, and right edges of the paper. PostScript 3 emulation: Reduced to 4 mm from the top, bottom, left, and right edges of the paper. UFR II: Reduced to 5 mm from the top, bottom, left, and right edges of the paper.

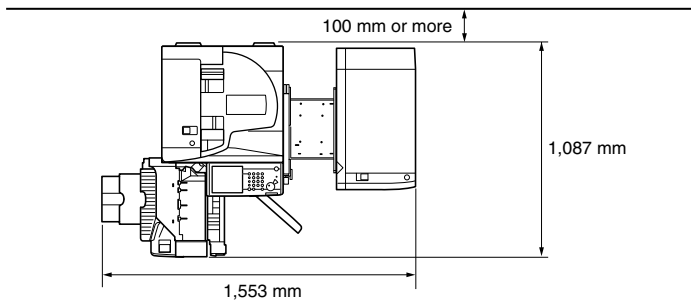
Provide Adequate Installation Space

- Provide enough space on each side of the machine for unrestricted operation.

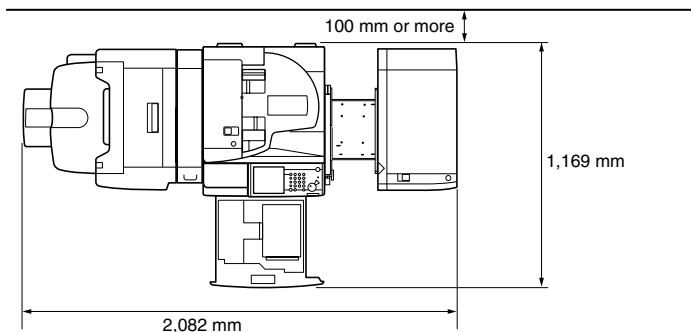
No option is attached.



The optional Feeder (DADF-U1) (standard-equipped for the iR3245N/iR3235N/iR3225N), Finisher-S1, and Paper Deck-Q1 are attached.



The optional Feeder (DADF-U1) (standard-equipped for the iR3245N/iR3235N/iR3225N), Saddle Finisher-AE2, Puncher Unit-L1, Buffer Pass Unit-E2, and Paper Deck-Q1 are attached.



System Management of the iR3245/iR3245N/ iR3235/iR3235N/iR3225/iR3225N

The following pages describe the use and operations of the System Management mode. They should be cut out of this manual, and stored by the Supervisor or System Manager of this machine.

The System Management mode enables you to set restrictions to System Settings (from the Additional Functions screen), and manage the settings stored by other users.

The operations which can be performed in the System Management mode are:

- Managing documents in an inbox
- Managing Mail Box Settings

Entering the System Management Mode




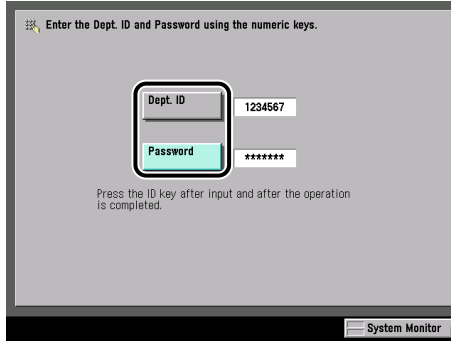
IMPORTANT

- *If you are performing user authentication using SSO-H, and logged in as a general user, you cannot change the Additional Functions settings of the machine.*
- *If you are performing user authentication using SSO-H, and logged in as an Administrator, you can change the Additional Functions settings of the machine. (When the dialog box prompting you to enter the System Manager ID and System Password appears, enter the System Manager ID and System Password.)*

If Department ID Management Is Enabled

1 Enter the System Manager ID and System Password using - (numeric keys).

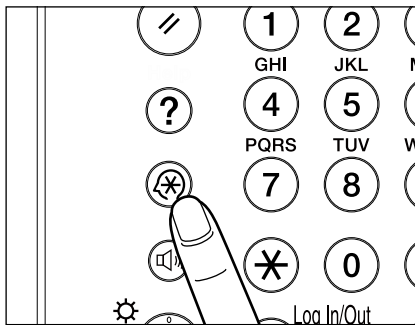
- Press [Dept. ID] → enter the System Manager ID.
- Press [Password] → enter the System Password.
- Press  (Log In/Out).



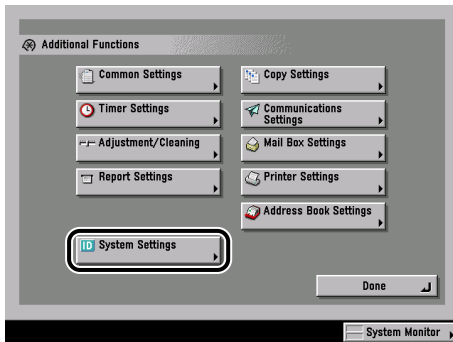
The System Management mode is enabled.

If Department ID Management Is Not Enabled

1 Press .

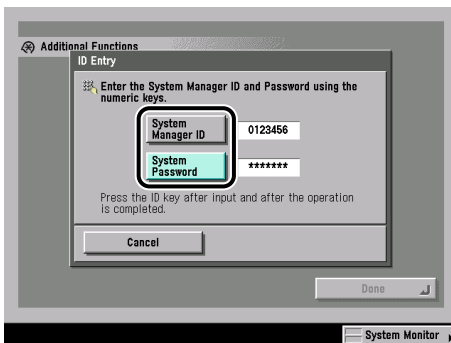


2 Press [System Settings].



3 Enter the System Manager ID and System Password using 0 - 9 (numeric keys).

- Press [System Manager ID] → enter the System Manager ID.
- Press [System Password] → enter the System Password.
- Press [ID] (Log In/Out).



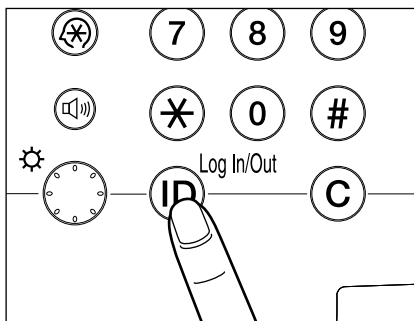
The System Management mode is enabled.

NOTE

Make sure to enter the System Manager ID and System Password that were stored in System Manager Settings in System Settings (from the Additional Functions screen). (See e-Manual > Security.)

1 C Cancelling the System Management Mode

- 1 Press **ID** (Log In/Out).



The System Management mode is cancelled. The System Management mode is also cancelled when the Auto Clear mode initiates.

1 Managing Inboxes in the System Management Mode

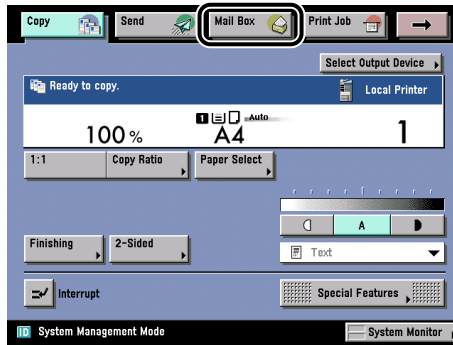
The System Manager can access documents in inboxes that have been stored by other users. For example, you can access an inbox whose user has forgotten his/her password, and erase any unnecessary documents.

- 1 Enter the System Management mode.

NOTE

For instructions on entering the System Management mode, see "Entering the System Management Mode," on p. 1-19.

2 Press [Mail Box].



3 Operate the Mail Box function.

NOTE

For instructions on using the Mail Box function, see e-Manual > Mail Box.

Changing the Mail Box Settings in the System Management Mode

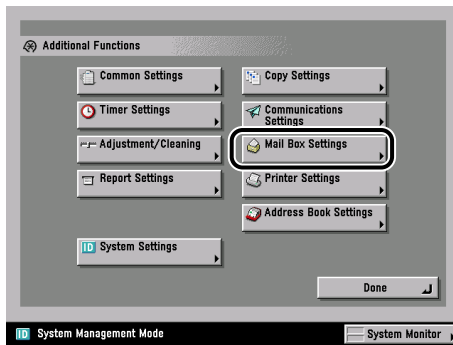
The System Manager can change the Mail Box Settings that have been restricted with a password. For example, you can initialize an inbox that is not being used, or change the name of an inbox. You can also reset the password of an inbox if the user has forgotten it.

1 Enter the System Management mode.

NOTE

For instructions on entering the System Management mode, see "Entering the System Management Mode," on p. 1-19.

2 Press → [Mail Box Settings] → change the settings.



For instructions on specifying Mail Box Settings, see e-Manual > Mail Box.

3 Press [Done] repeatedly until the Inbox Selection screen appears.



Canon Inc.

30-2, Shimomaruko 3-chome,
Ohta-ku, Tokyo 146-8501, Japan

Europe, Africa and Middle East

Canon Europa N.V.

P.O. Box 2262,
1180 EG Amstelveen, Netherlands

Canon Middle East FZ-LLC

P.O. Box 27616
Dubai
United Arab Emirates

email: info@canon-me.com

Specifications subject to change without notice.

© Canon Europa N.V. 2008

[Downloaded from ManualsPrinter.com Manuals](#)